

HRS-26A Series
47~862MHz & 950~2600MHz
Satellite TV & Analog TV
PIN optical receiver

Technical Specification

CONTENT

1.0 PRODUCT DESCRIPTION.....	1
2.0 PRODUCT FEATURE.....	1
3.0 TECHNICAL INDEX.....	2
4.0 OPTICAL RECEIVER ELECTRICAL SCHEMATIC DIAGRAM.....	3
4.1 HRS-26A-H2-00-108, HRS-26A-H2-00-308.....	3
4.2 HRS-26A-H2-WD-308.....	3
5.0 APPLICATION OF HRS-26A IN FTTX PON.....	4
6.0 PRODUCT SERIES.....	5
7.0 ORDERING INFORMATION.....	5

1.0 PRODUCT DESCRIPTION

Huatai HRS-26A optical receiver, adopting high-sensitivity PIN detector, Taking the technology of frequency division multiplexing, it can receive analogue CATV and SAT-IF signal with the frequency of 47~862MHz and 950~2600 Mhz over single fiber. It can be compatible with any FTTx PON to realize triple-play of analog TV, Digital TV (DBS-C, DBS-T), Satellite TV, Internet and FTTH.

HRS-26A-H2-00-108: adopting 1U 19" standard casing, the working parameters of the unit are controlled by micro-processor. LCD on the front panel can display the working status and failure and diagnosis. Standard RS232 communication interface, SNMP function. Suitable for project application.

HRS-26A-H2-WD-108: 1U 19" standard casing, Suitable for FTTx PON. Build-in WD1543, un-seamed connection with ONU in EPON, GPON system.

HRS-26A-H2-00-208: Desktop, easy to connect with multi-switch to STB.

HRS-26A-H2-WD-208: Desktop, Suitable for FTTx PON. Build-in WD1543, un-seamed connection with ONU in EPON, GPON system.

HRS-26A-H2-00-308: Wall-mounted, Aluminum dia-casting, easy to connect with multi-switch to STB.

HRS-26A-H2-WD-308: Wall-mounted, Suitable for FTTx PON. Build-in WD1543, un-seamed connection with ONU in EPON, GPON system.

2.0 PRODUCT FEATURE

- High linearity, suitable for Analog CATV & SAT-IF application
- Wide band: 47~862MHz & 950~2600MHz
- It can receive analogue CATV and SAT-IF signal over single fiber.
- It can be compatible with any FTTx PON
- Excellent P/P ratio

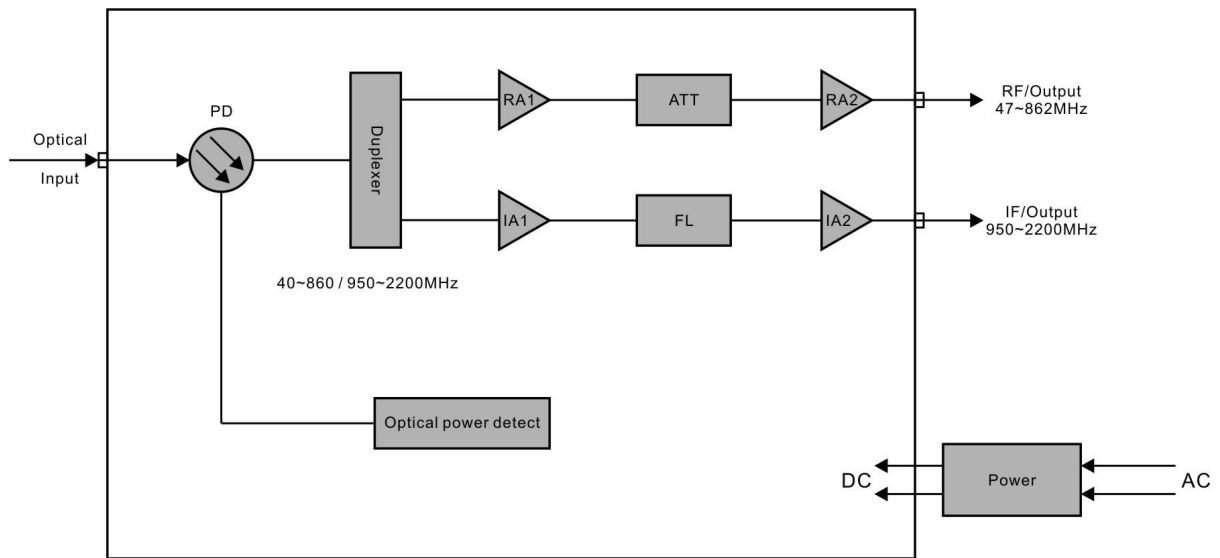
3.0 Technical index

Performance			Index			Supplement	
			Min.	Typ.	Max.		
Optical feature	Operating wavelength	(nm)	1260		1620	HRS-26A-H2-00-×××	
			1540		1563	HRS-26A-H2-WD-×××	
	Pass wavelength	(nm)	1310/1490				
			Reasonability	R13	(A/W)	0.9	
	R15	0.95				1550nm	
	Receiving optical power	Typical	(dBm)	-8		+2	
		Sensitivity				-13	Pr
Overload		+5				Po	
Return loss		(dB)	50				
Optical connector			SC/APC			LC/APC optional	
RF feature	Operating bandwidth		(MHz)	47		862	
	Output level		(dBmV)	10		30	
	Flatness		(dB)	-0.75		+0.75	
	Return loss		(dB)	16		47~862MHz	
	Output impedance		(Ω)		75	47~750MHz	
	RF connector			F-Female			
	Channel loading			PAL/D60CH			
	CNR	1310nm	(dB)	51			
		1550nm		50			
	CTB	1310nm	(dB)	-65			
1550nm		-63					
CSO	1310nm	(dB)	-63				
	1550nm		-53				
IF feature	Working bandwidth		(MHz)	950	2200	2600	
	Output level		(dBmV)	-40		+24	
	Flatness	(dB)	-0.5		+0.5	40MHz	
			-1.5		+1.5	950~2600MHz	
	Return loss		(dB)	12			
	Output impedance		(Ω)		75	Option 50 Ω	
	IF connector			F-Female			
	IM3		(dB)	-65			
HUM		(dB)	-60				
General feature	SNMP interface			RJ45		HRS-26A-H2-XX-108	
	Communication interface			RS232		HRS-26A-H2-XX-108	
	Power supply	AC	(V)	90	220	265	HRS-26A-H2-XX-108
		DC			5		HRS-26A-H2-XX-208
		DC			12		HRS-26A-H2-XX--308
	Power consumption		(W)			10	Single PS
Operating temp.		($^{\circ}$ C)	-5		+65		

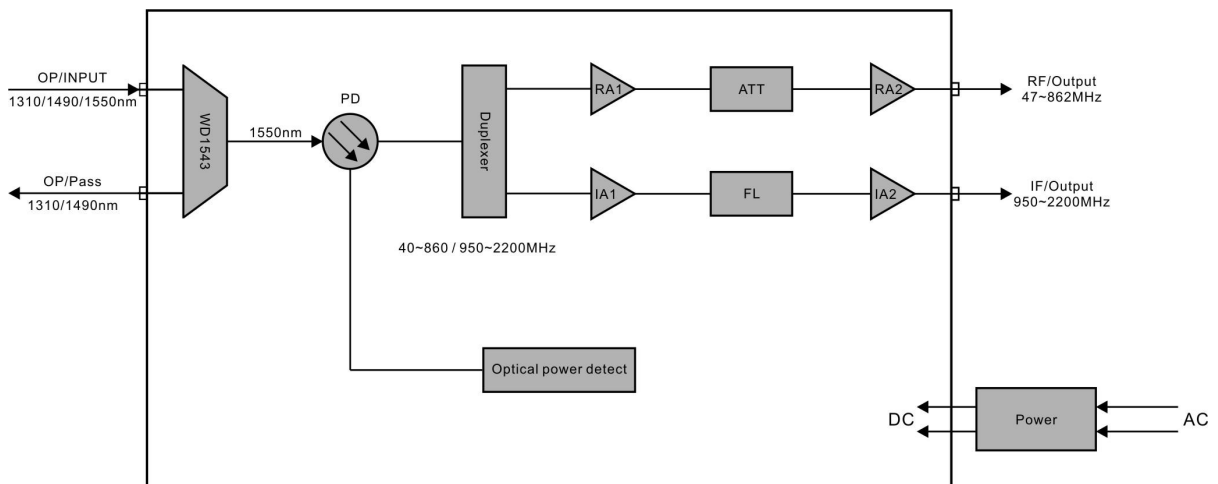
Storage temp.	(°C)	-40	+85	
Relative humidity	(%)	5	95	
Size	(mm)	483×368×44		HRS-26A-H2-XX-108
		59×98×23		HRS-26A-H2-XX-208
		117×72×29		HRS-26A-H2-XX--308

4.0 Optical receiver electrical schematic diagram

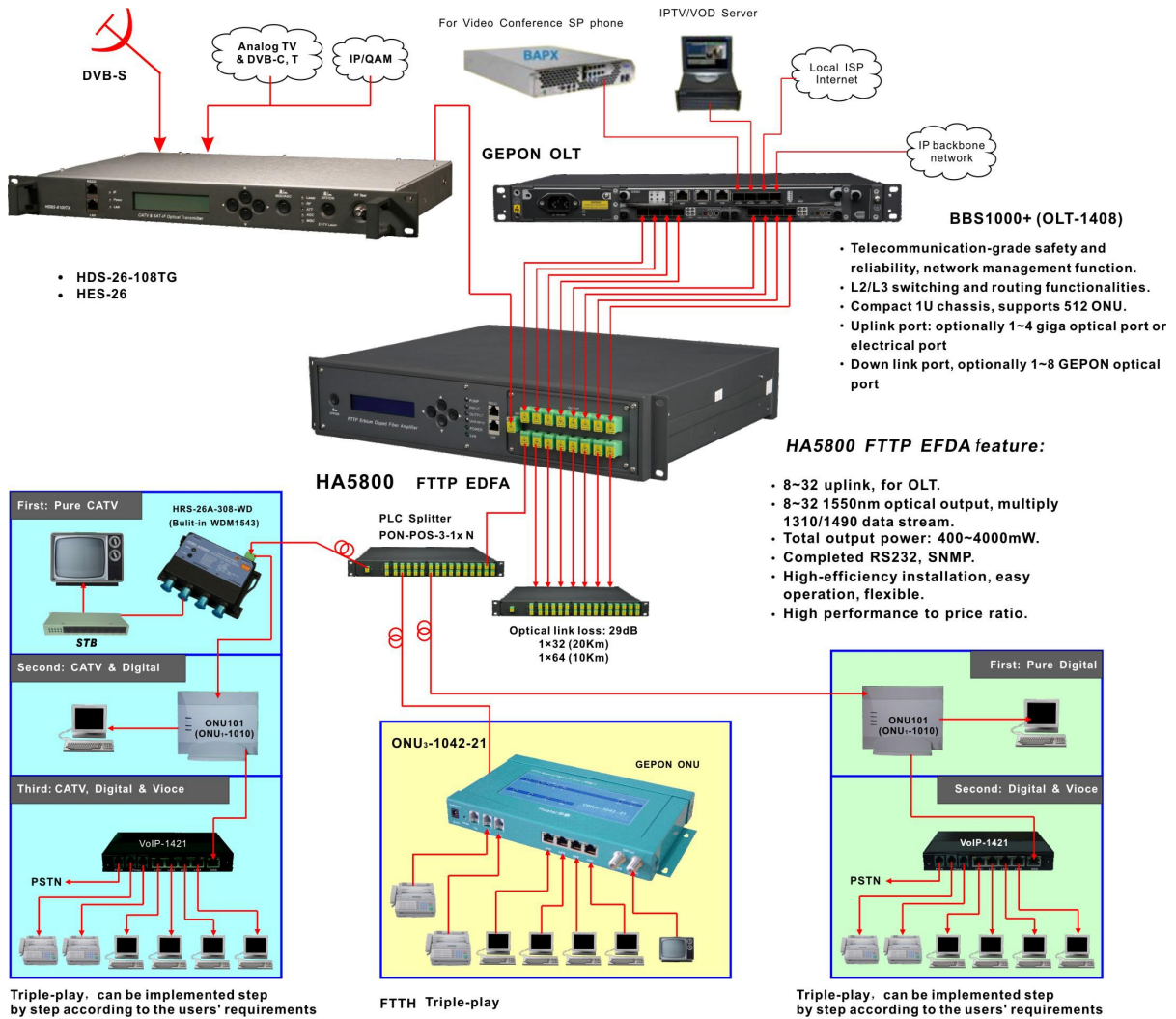
4.1 HRS-26A-H2-00-108, HRS-26A-H2-00-308



4.2 HRS-26A-H2-WD-308



5.0 Application of HRS-26A in FTTx PON



6.0 Product series

Model	Receiving sensitivity	Exterior structure	WDM
HRS-26A-H2-00-108	-8dBm	19" 1RU	None
HRS-26A-H2-WD-108	-8dBm	19" 1RU	Build-in WD1543
HRS-26A-H2-00-208	-8dBm	Desktop	None
HRS-26A-H2-WD-208	-8dBm	Desktop	Build-in WD1543
HRS-26A-H2-00-308	-8dBm	Wall-mounted	None
HRS-26A-H2-WD-308	-8dBm	Wall-mounted	Build-in WD1543

7.0 Ordering information

HRS - 26A - H 2 / □□ - □ □□ - □□ - □□

Product type		Operating bandwidth		Applicable network		RF output port feature		WDM		Product feature		Reception sensitivity		Connector		Power supply	
HRS	Satellite Optical Receiver	26A	47~862MHz & 950~2600MHz Analog TV + SAT-IF	H	High performance apply to FTTH	2	1□: 47~862MHz	00	Without WDM	1	19" standered type	08	-8dBm	SA	SC/APC	48	-48VDC
							1□: 950~2600MHz	WD	With WDM			13	-13dBm	FA	FC/APC	22	220VAC
HDS	Satellite Externally Modulated Optical Transmitter	26D	47~2600MHz Digital TV + SAT-IF	B	High output level apply to FTTB					2	Small ferrous box, desk-type			LA	LC/APC	11	110VAC
HES	Satellite Direct Modulated Optical Transmitter	26S	950~2600MHz SAT-IF							3	Small aluminum box, wall-mounted type						